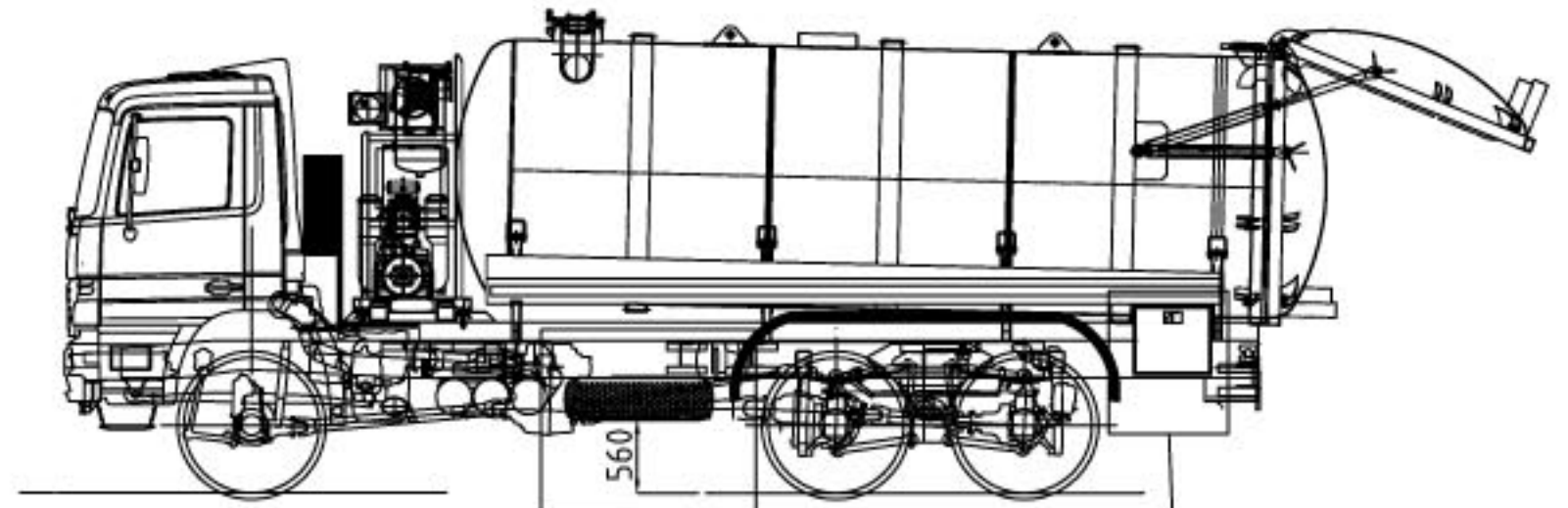


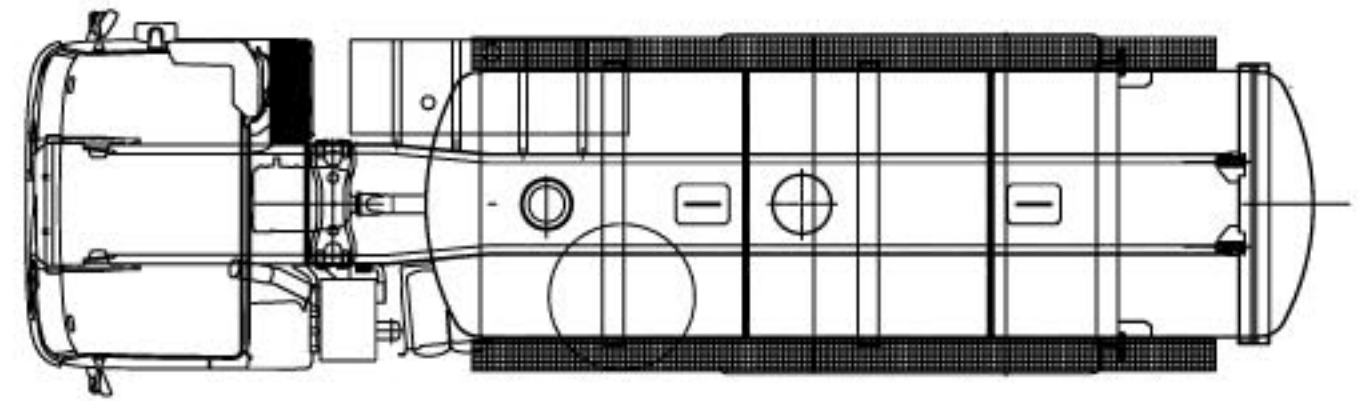
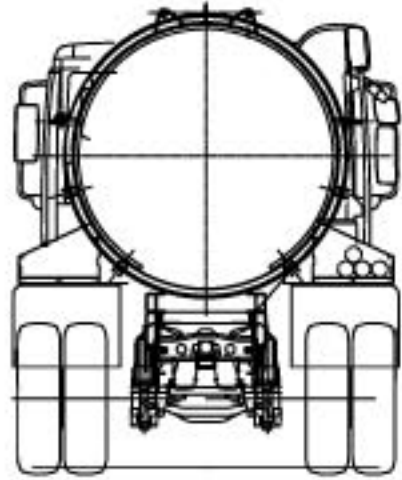
D
EXTINGUISHER

A
FUEL TANK

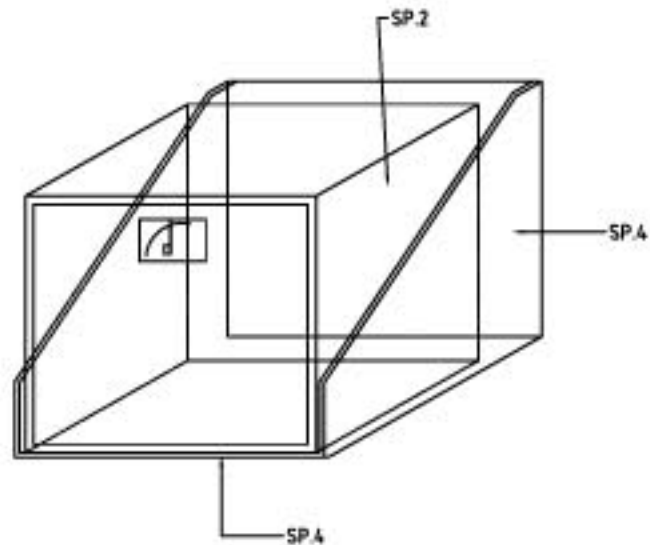


B
SPARE WHEEL

C
TOOL BOX
SEE DETAILED DRAWING C



DETAILED DRAWING C



Title EQUIPMENT DRAWING			
	Dts.	Date	OFF.
	rb	25/09/06	2175-HATT-LAT