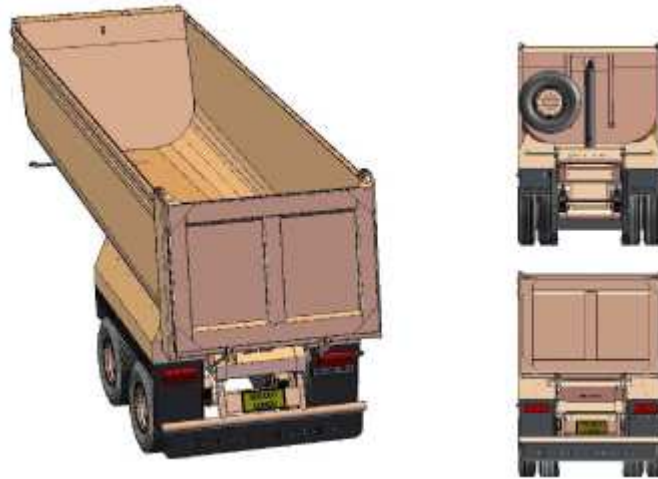


## B2A Boggie (2 AXLES TIPPING SEMI-TRAILERS Hardox 5 mm)



- Tandem mechanical
- Patented multiconic shape
- 25 m<sup>3</sup>
- Hardox 450
- Stabilizer system
- Tare approx.:
  - 5mm -7500kg
  - 8mm - 8700 Kg
  - 6/4mm - 8200 Kg
  - 8/6mm - 9100 kg

### HIGH TENSILE STEEL CHASSIS

- 2 Automatic welded main beams linked by cross bars
- Dismountable 2" king pin
- Mudguards
- Rear bumper

### LANDING GEAR

- 2 Speeds telescopic self compensated

### LIGHTING AND SIGNALLING

- Two rear lights with 9 functions
- Front and lateral reflectors



# RAC EXPORT TRADING Germany

[www.rac-export.com](http://www.rac-export.com) Tel.+49 661 606082



## OTHER EQUIPMENT

- Tools box 600x400x500 mm
- Spare wheel support
- Spare tire 12 R 22,5 or 13 R 22,5

## BRAKING SYSTEM

- Two lines with load corrective valve
- Pneumatic parking brake (Maxibrake) on rear axle

## ROLLING EQUIPMENT

- Boggie mechanical suspension 32 ton
- 2 Axles SAF for twin wheels
- Drum brakes Ø 420x200
- 8 Tires 12 R22,5 or 13 R22,5 Continental

## STEEL BOX "XK" IN HARDOX 450

- Floor, sides, front panel and rear door made of steel HARDOX 450 in 5 mm
- Rear door with automatic opening with double hinge
- Stabilizer between body and chassis
- Lateral staircase

## TIPPING DEVICE

- Front end cylinder with pressure valve

## PAINT WORK

- Shot blasting, primary and 2 components final painting

## **OPTIONS**

Box in HARDOX 8 mm Multiconic shape (more)

Box in ST 52, bottom 6mm, sides 4mm, square shape (less)

Box in ST 52, bottom 8mm, sides 6mm, square shape (less)

